



Product Specification

Greenwich Boat bath

ILLUSTRATION:**FEATURES AND BENEFITS:**

This boat shaped bath unites new shapes and traditional materials with great heat retaining properties

The Greenwich bath comes primed, so can be painted to match any interior, or for added impact a shiny copper cladding option is available

The material used is Cast iron, adding to the already large range of cast iron baths available from C.P. Hart

AVAILABILITY/ PRODUCT CODES:

xsbgr1700nthw - Boat bath

NOTES:

This set consists of:

- 1 x Greenwich bath (gr1700ntww)
- 1 x Exposed bath waste (exbpucp)
- 1 x Shallow seal bath trap (xsbatrapcp)

CARE AND MAINTENANCE INSTRUCTIONS:

Rinse thoroughly and use a soft cloth to wipe dry after each use. Rinse thoroughly with water immediately after the application of cleaners and wipe the surface leaving it completely dry after use. Use abrasive cleaners sparingly to remove stubborn stains. Do not use steel wool wire brushes or abrasive sponge pads.

C.P. Hart cannot guarantee the accuracy of this information.

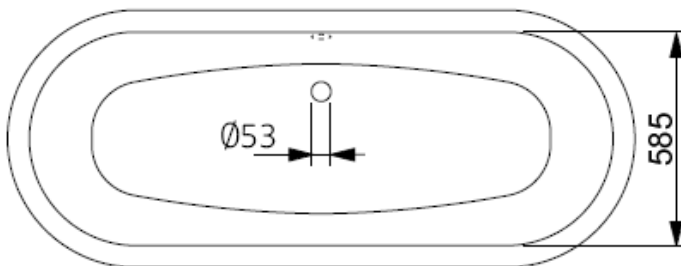
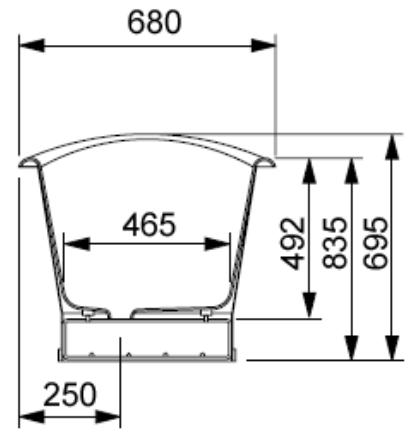
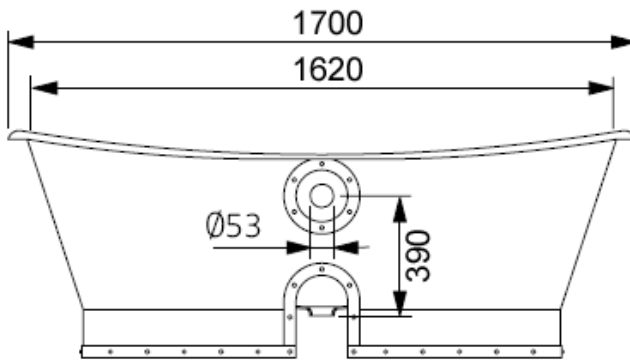
Dimensions are nominal – for guidance only and are not to be used for pre-installation.

For further information call Central Sales on 0845 600 1950
For projects & developments call the Contracts Team on 0845 600 1980

Waterloo Primrose Hill Guildford Manchester

www.cphartboutique.co.uk www.cphart.co.uk

INSTALLATION INFORMATION/ REQUIREMENTS:



C.P. Hart cannot guarantee the accuracy of this information.

Dimensions are nominal – for guidance only and are not to be used for pre-installation.

For further information call Central Sales on 0845 600 1950

For projects & developments call the Contracts Team on 0845 600 1980

Waterloo Primrose Hill Guildford Manchester

www.cphartboutique.co.uk www.cphart.co.uk