



## Product Specification

### Crystal Corner enclosure

**ILLUSTRATION:****FEATURES AND BENEFITS:**

The crystal collection has a meticulous design and ultra-violet bonded glass enable Crystal shower enclosures to retain strength, rigidity and alignment with a minimum of component parts. This leaves them almost invisible and maximises the feeling of space in the bathroom.

**AVAILABILITY/ PRODUCT CODES:**

xsbcryst8080 - Corner enclosure (800 x 800mm)

**NOTES:**

This set consists of:

1 x Crystal corner door (crycrn800sl)

1 x Crystal corner panel pack (crycp800sl)

**CARE AND MAINTENANCE INSTRUCTIONS:**

Use soapy water, rinse with abundant water and wipe dry with a cloth or soft wash-leather. Do not use products which may contain acids, bleach or which may be abrasive.

*C.P. Hart cannot guarantee the accuracy of this information.*

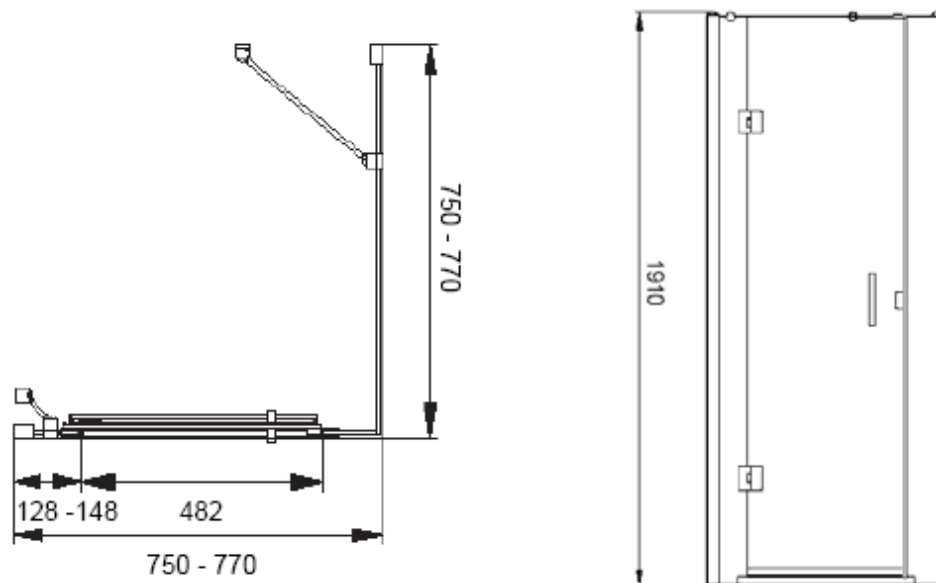
*Dimensions are nominal – for guidance only and are not to be used for pre-installation.*

For further information call Central Sales on 0845 600 1950

For projects & developments call the Contracts Team on 0845 600 1980

Waterloo Primrose Hill Guildford Manchester

[www.cphartboutique.co.uk](http://www.cphartboutique.co.uk) [www.cphart.co.uk](http://www.cphart.co.uk)

**INSTALLATION INFORMATION/ REQUIREMENTS:**

*C.P. Hart cannot guarantee the accuracy of this information.*

*Dimensions are nominal – for guidance only and are not to be used for pre-installation.*

For further information call Central Sales on 0845 600 1950

For projects & developments call the Contracts Team on 0845 600 1980

Waterloo Primrose Hill Guildford Manchester

[www.cphartboutique.co.uk](http://www.cphartboutique.co.uk) [www.cphart.co.uk](http://www.cphart.co.uk)