



Product Specification

Crystal Corner enclosure

ILLUSTRATION:**FEATURES AND BENEFITS:**

The crystal collection has a meticulous design and ultra-violet bonded glass enable Crystal shower enclosures to retain strength, rigidity and alignment with a minimum of component parts. This leaves them almost invisible and maximises the feeling of space in the bathroom.

AVAILABILITY/ PRODUCT CODES:

xsbcryst1290 - Corner enclosure (1200 x 900mm)

NOTES:

This set consists of:

1 x Crystal corner door (crycrn120sl)

1 x Crystal corner panel pack (crycrn9012sl)

CARE AND MAINTENANCE INSTRUCTIONS:

Use soapy water, rinse with abundant water and wipe dry with a cloth or soft wash-leather. Do not use products which may contain acids, bleach or which may be abrasive.

C.P. Hart cannot guarantee the accuracy of this information.

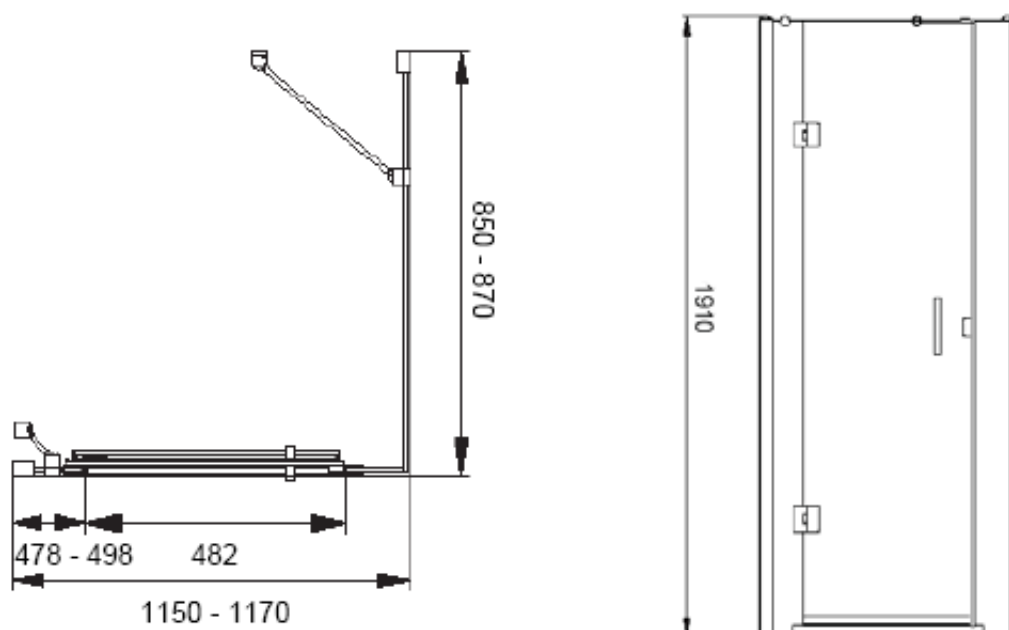
Dimensions are nominal – for guidance only and are not to be used for pre-installation.

For further information call Central Sales on 0845 600 1950

For projects & developments call the Contracts Team on 0845 600 1980

Waterloo Primrose Hill Guildford Manchester

www.cphartboutique.co.uk www.cphart.co.uk

INSTALLATION INFORMATION/ REQUIREMENTS:

C.P. Hart cannot guarantee the accuracy of this information.

Dimensions are nominal – for guidance only and are not to be used for pre-installation.

For further information call Central Sales on 0845 600 1950

For projects & developments call the Contracts Team on 0845 600 1980

Waterloo Primrose Hill Guildford Manchester

www.cphartboutique.co.uk www.cphart.co.uk