



## Product Specification

### Colony Counter Basin 900mm

**ILLUSTRATION:****FEATURES AND BENEFITS:**

Manufactured by Catalano, one of Europe's leaders – Assurance of excellent quality and design  
A large range designed to offer many design solutions – Introducing a modern design link into the bathroom  
The core design of Colony is focused around circles and ovals – These soft shapes give practicality and designer flair  
Flexibility when installing – Gives versatility throughout the design of your bathroom

**AVAILABILITY/ PRODUCT CODES:**

xsbc0l901ww – Counter Basin 900mm

**NOTES:**

Basin has no overflow, so must be fitted with an unslotted waste.

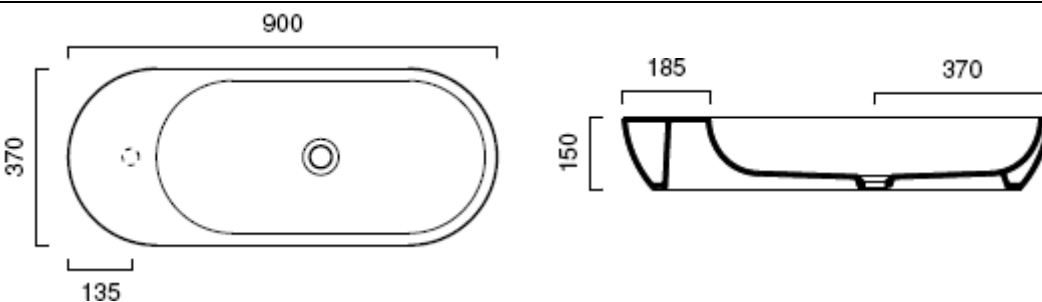
This set consists of:

1 x Colony counter basin with 1 tap-hole (cocnb90ww)

1 x Hart modern bottle trap (nshamotrapp)

**CARE AND MAINTENANCE INSTRUCTIONS:**

Non-abrasive bathroom cleaners that are suitable for use on ceramic surfaces may be used. Once cleaned the surface should be rinsed then dried to prevent water staining.

**INSTALLATION INFORMATION/ REQUIREMENTS:**

*C.P. Hart cannot guarantee the accuracy of this information.*

*Dimensions are nominal – for guidance only and are not to be used for pre-installation.*

For further information call Central Sales on 0845 600 1950  
For projects & developments call the Contracts Team on 0845 600 1980

Waterloo Primrose Hill Guildford Manchester

[www.cphartboutique.co.uk](http://www.cphartboutique.co.uk) [www.cphart.co.uk](http://www.cphart.co.uk)