



Product Specification

Colony Counter Basin 700mm

ILLUSTRATION:**FEATURES AND BENEFITS:**

Manufactured by Catalano, one of Europe's leaders – Assurance of excellent quality and design
A large range designed to offer many design solutions – Introducing a modern design link into the bathroom
The core design of Colony is focused around circles and ovals – These soft shapes give practicality and designer flair
Flexibility when installing – Gives versatility throughout the design of your bathroom

AVAILABILITY/ PRODUCT CODES:

xsbc01701ww – Counter Basin 700mm

NOTES:

Basin has no overflow, so must be fitted with an unslotted waste.

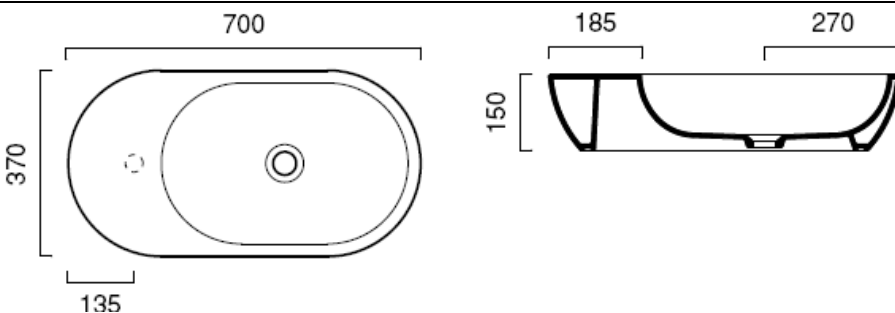
This set consists of:

1 x Colony counter basin with 1 tap-hole (cocnb70ww)

1 x Hart modern bottle trap (nshamotrapcp)

CARE AND MAINTENANCE INSTRUCTIONS:

Non-abrasive bathroom cleaners that are suitable for use on ceramic surfaces may be used. Once cleaned the surface should be rinsed then dried to prevent water staining.

INSTALLATION INFORMATION/ REQUIREMENTS:

C.P. Hart cannot guarantee the accuracy of this information.

Dimensions are nominal – for guidance only and are not to be used for pre-installation.

For further information call Central Sales on 0845 600 1950
For projects & developments call the Contracts Team on 0845 600 1980

Waterloo Primrose Hill Guildford Manchester

www.cphartboutique.co.uk www.cphart.co.uk