



Product Specification

Traditional freestanding baths Cambridge

ILLUSTRATION:**FEATURES AND BENEFITS:**

Made of cast iron, a traditionally popular material - Long lasting, keeps heat in longer, scratch and crack proof, more resistant to chemical damage & staining
A Comfortable upright end – Ideal for sitting up and reading whilst enjoying luxurious bathing
An acrylic based paint can be used to paint the exterior of your bath – Allows you to create your own individual look and design

AVAILABILITY/ PRODUCT CODES:

xsbcomb15free - Cambridge Free Standing Bath

NOTES:

This set consists of:
1 x Cambridge Bath (nsca1576ww)
1 x Cast iron claw feet (cabcfci)
1 x Exposed Bath waste (exbpucp)

CARE AND MAINTENANCE INSTRUCTIONS:

Non-abrasive cleaners should be used to clean baths. Rinse thoroughly with water immediately after the application of cleaners and wipe the surface leaving it completely dry after use. When painting the outside of your cast iron bath, the surface should be primed first with a metal primer, and painted with an oil based paint such as a eggshell finish

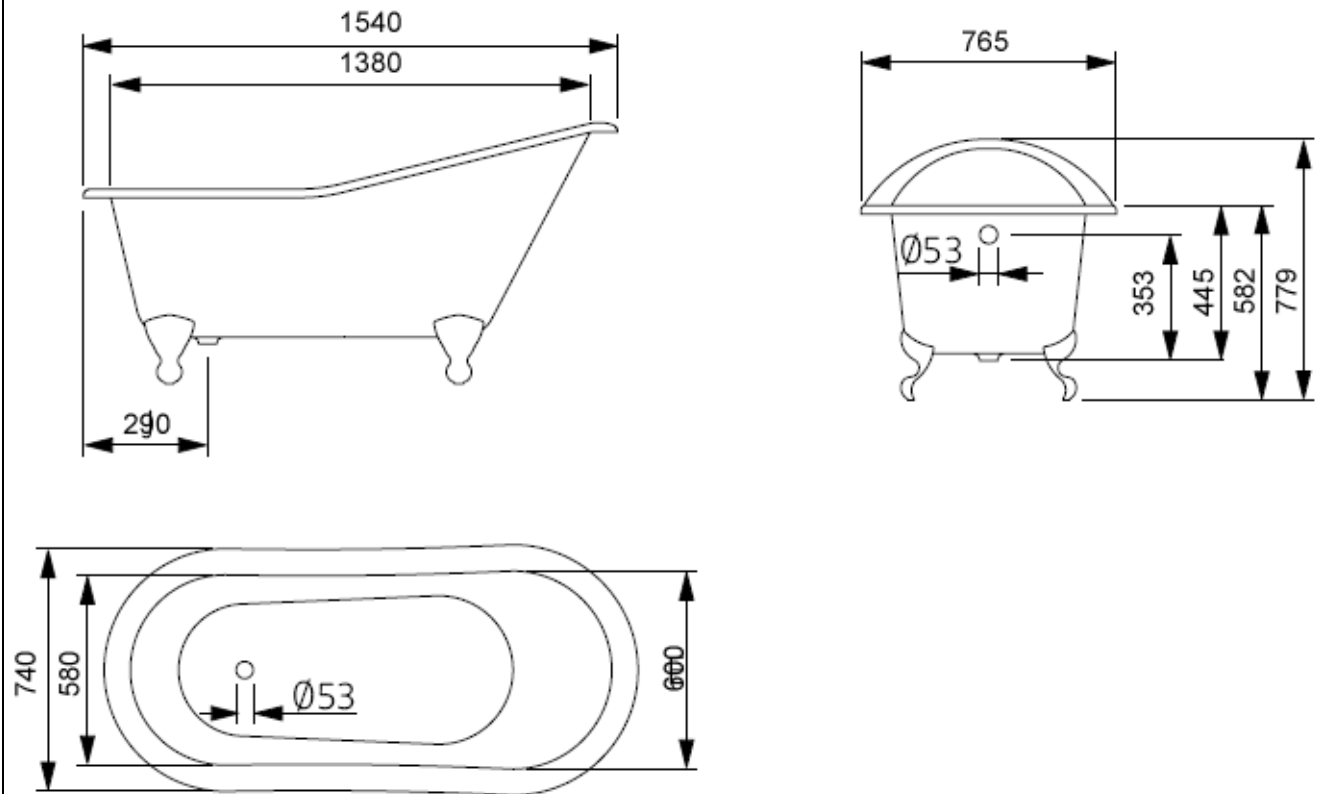
C.P. Hart cannot guarantee the accuracy of this information.

Dimensions are nominal – for guidance only and are not to be used for pre-installation.

For further information call Central Sales on 0845 600 1950
For projects & developments call the Contracts Team on 0845 600 1980

Waterloo Primrose Hill Guildford Manchester

www.cphartboutique.co.uk www.cphart.co.uk

INSTALLATION INFORMATION/ REQUIREMENTS:

C.P. Hart cannot guarantee the accuracy of this information.

Dimensions are nominal – for guidance only and are not to be used for pre-installation.

For further information call Central Sales on 0845 600 1950

For projects & developments call the Contracts Team on 0845 600 1980

Waterloo Primrose Hill Guildford Manchester

www.cphartboutique.co.uk www.cphart.co.uk