

Starck 2 Free standing bath

ILLUSTRATION



FEATURES AND BENEFITS:

Manufactured by Hoesch, one of Europe's best for baths and Showers – Assures you of quality in all materials used

The bathtub creates an almost poetic link to the naturalness of bathing – Helps you to relax and unwind whilst using your bathroom

Philippe Starck designs based on basic objects and shapes – This gives you a unique design link throughout your bathroom

Starck offer a wide range of bathroom products – Allows you to create a unique design link throughout your bathroom

AVAILABILITY/ PRODUCT CODES:

ST6136WW - STARCK 2 F/STANDING BATH 1750X800(WHITE) + WASTE

COMPATIBILITY:

Compatible with floor standing bath fillers only
Ideal for use in combination with all Starck bath fillers
Maximum water depth approx. 360 mm from waste to lower edge of overflow
Mounting height: approx. 600 mm with external panelling
Effective capacity 165 litres

CARE AND MAINTENANCE INSTRUCTIONS:

Non abrasive cleaners should be used to clean baths. Once the bath has been cleaned and rinsed, it should be dried to prevent scale build up.

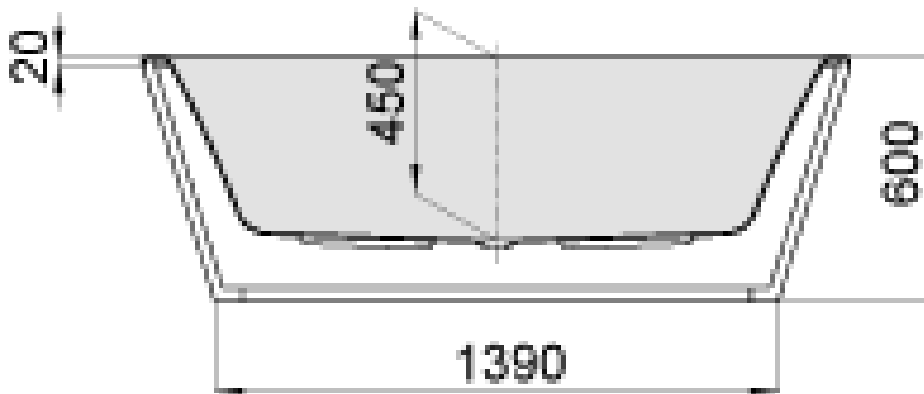
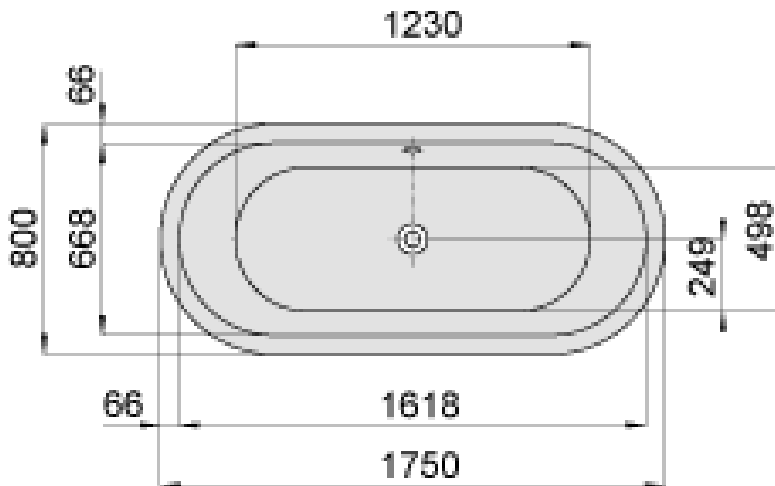
C.P. Hart cannot guarantee the accuracy of this information.

Dimensions are nominal – for guidance only and are not to be used for pre-installation.

For further information call Central Sales on 0845 600 1950
For projects & developments call the Contracts Team on 0845 600 1980

www.cphartboutique.co.uk www.cphart.co.uk

INSTALLATION INFORMATION / REQUIREMENTS:



C.P. Hart cannot guarantee the accuracy of this information.

Dimensions are nominal – for guidance only and are not to be used for pre-installation.

For further information call Central Sales on 0845 600 1950
For projects & developments call the Contracts Team on 0845 600 1980

www.cphartboutique.co.uk www.cphart.co.uk