

### Plus Toilet Roll Holder

#### ILLUSTRATION:



#### FEATURES AND BENEFITS:

The smooth design lines throughout the Plus ranges – Make the range ideal for use in all contemporary focused bathrooms

The Plus range also offers a large range of taps Allowing the creation of a unique design link through your bathroom

This comprehensive range coordinates well with most existing contemporary bathrooms – Allows flexibility when choosing your product

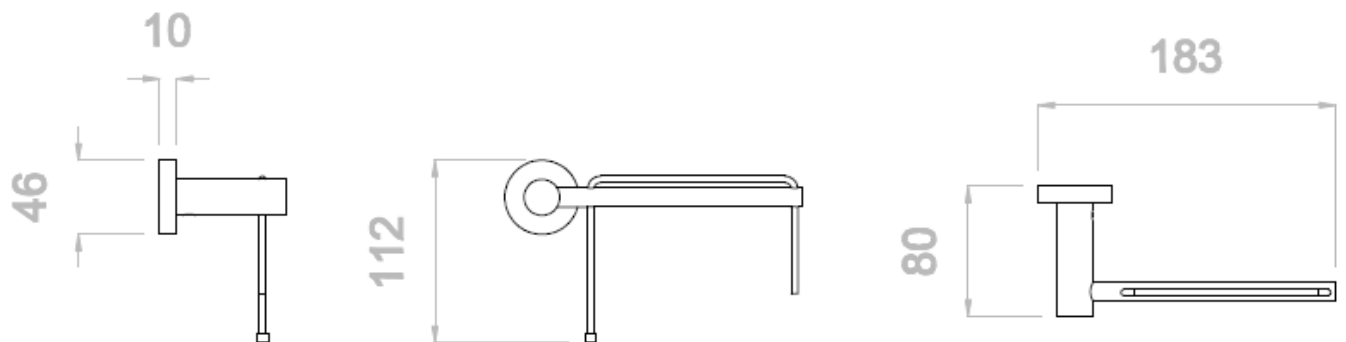
#### AVAILABILITY/ PRODUCT CODES:

plw4908dxcp - Toilet Roll Holder (Right hand)  
plw4908sxcpc - Toilet Roll Holder (Left hand)

#### CARE AND MAINTENANCE INSTRUCTIONS:

Clean with liquid detergent, rinse and dry, then buff with a soft lint free cloth. No abrasive cleaners should be used. Vinegar or limejuice can be used to remove stubborn limescale deposits.

#### INSTALLATION INFORMATION/ REQUIREMENTS:



*C.P. Hart cannot guarantee the accuracy of this information.*

*Dimensions are nominal – for guidance only and are not to be used for pre-installation.*

For further information call Central Sales on 0845 600 1950  
For projects & developments call the Contracts Team on 0845 600 1980

[www.cphartboutique.co.uk](http://www.cphartboutique.co.uk) [www.cphart.co.uk](http://www.cphart.co.uk)