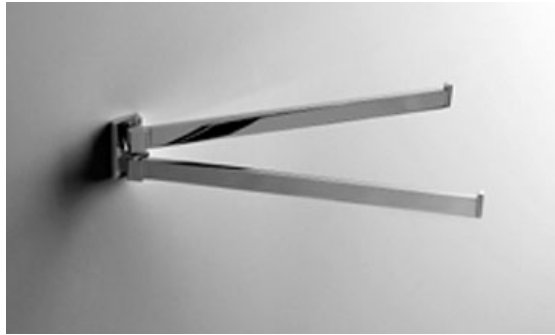


Look Double Swing Towel Rail

ILLUSTRATION



FEATURES AND BENEFITS:

Designed by Luca Colombo to display fine elegance with minimal proportions – Allowing for more flexible design with greater designer products

The unique sharp appearance of the rail – Inserts a unique cutting edge design into your bathroom

Look offers a wide variety of accessories – Allowing a greater design choice

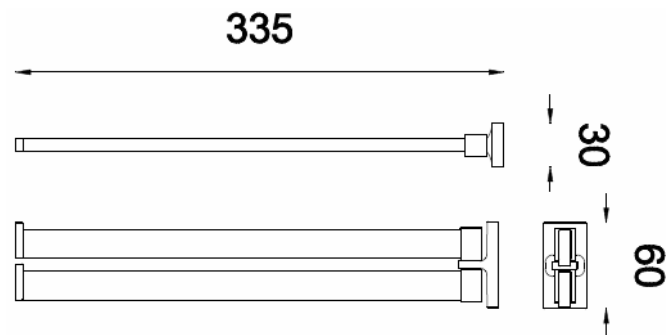
AVAILABILITY/ PRODUCT CODES:

lob1612cp - Double Swing Towel Rail

CARE AND MAINTENANCE INSTRUCTIONS:

Clean with liquid detergent rinse and dry then buff with a soft lint free cloth. No abrasive cleaners should be used. Vinegar or limejuice can be used to remove stubborn limescale deposits.

INSTALLATION INFORMATION/ REQUIREMENTS:



C.P. Hart cannot guarantee the accuracy of this information.

Dimensions are nominal – for guidance only and are not to be used for pre-installation.

For further information call Central Sales on 0845 600 1950
For projects & developments call the Contracts Team on 0845 600 1980

www.cphartboutique.co.uk www.cphart.co.uk