

Arc Concealed thermostatic shower valve

ILLUSTRATION:**FEATURES AND BENEFITS:**

Manufactured in the UK – Assures you of quality in all materials used, and a longevity of life
Chrome plating – Enhances the appearance of the tap.
Combining high performance with ceramic quarter turn technology – Giving you quality design with a classic appearance.

AVAILABILITY/ PRODUCT CODES:

grarcosvcp - Concealed thermostatic shower valve

NOTES:

Compatible with low and high pressure systems – see flow chart below

CARE AND MAINTENANCE INSTRUCTIONS:

Clean with liquid detergent rinse and dry then buff with a soft lint free cloth. No abrasive cleaners should be used. Vinegar or limejuice can be used to remove stubborn limescale deposits.

Note: Some household bleaches cleaners toothpastes can permanently damage the plating and if accidentally spilt onto the surface should be wiped off immediately with a clean cloth moistened with water and dried as above.

C.P. Hart cannot guarantee the accuracy of this information.

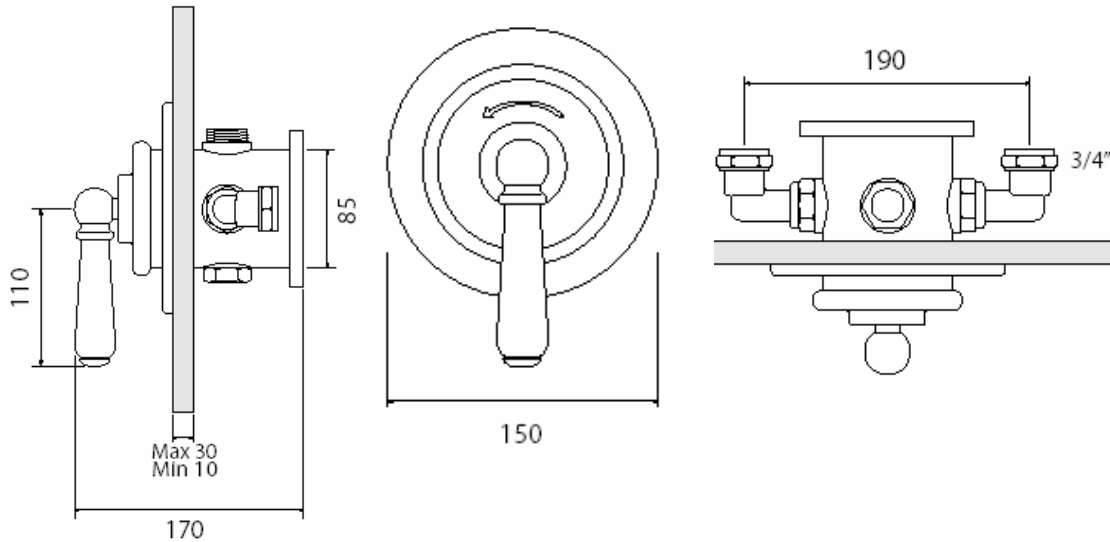
Dimensions are nominal – for guidance only and are not to be used for pre-installation.

For further information call Central Sales on 0845 600 1950

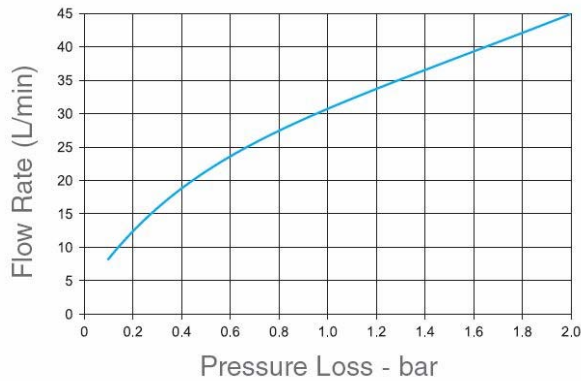
For projects & developments call the Contracts Team on 0845 600 1980

www.cphartboutique.co.uk www.cphart.co.uk

INSTALLATION REQUIREMENTS / REQUIREMENTS:



Flow Rates



Note: No shower Kit attached

5 Bar max. Supplies to be nominally equal pressure. Max temp 85c.

C.P. Hart cannot guarantee the accuracy of this information.

Dimensions are nominal – for guidance only and are not to be used for pre-installation.

For further information call Central Sales on 0845 600 1950

For projects & developments call the Contracts Team on 0845 600 1980

www.cphartboutique.co.uk www.cphart.co.uk