

Arc 3 Piece Basin Mixer

ILLUSTRATION**FEATURES AND BENEFITS:**

Manufactured in the UK – Assures you of quality in all materials used, and longevity of life
Chrome plating – Enhances the appearance of the tap.
Combining high performance with ceramic quarter turn technology – Giving you quality design with a classic appearance.

AVAILABILITY/ PRODUCT CODES:

grarba3cp - 3 Piece Basin Mixer

NOTES:

Suitable pressure range: 0.5 – 5 bar. Temperature range: 1 – 85 Celsius

CARE AND MAINTENANCE INSTRUCTIONS:

Clean with liquid detergent rinse and dry then buff with a soft lint free cloth. No abrasive cleaners should be used. Vinegar or limejuice can be used to remove stubborn limescale deposits. Note: Some household bleaches cleaners toothpastes can permanently damage the plating and, if accidentally spilt onto the surface, should be wiped off immediately with a clean cloth moistened with water and then dried as above.

C.P. Hart cannot guarantee the accuracy of this information.

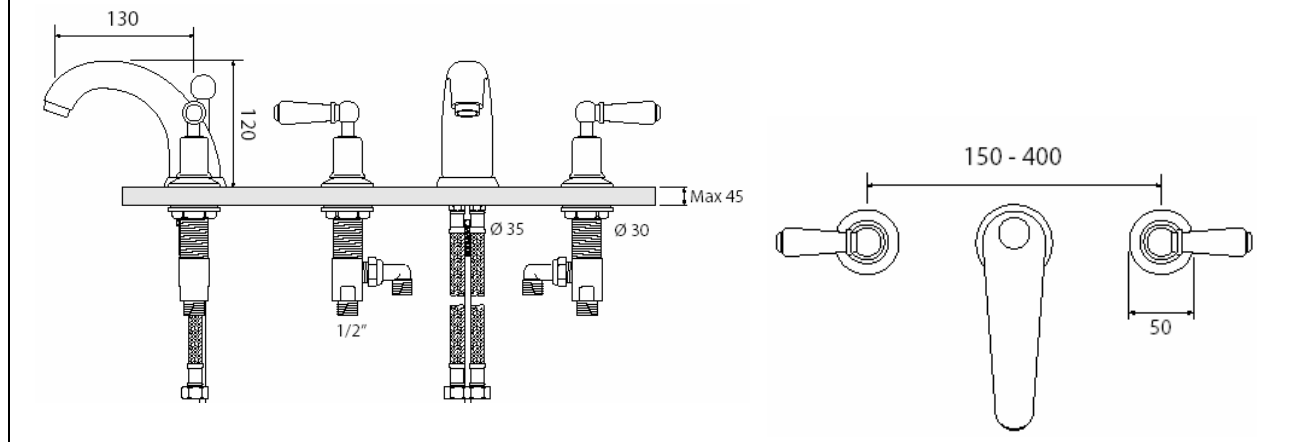
Dimensions are nominal – for guidance only and are not to be used for pre-installation.

For further information call Central Sales on 0845 600 1950

For projects & developments call the Contracts Team on 0845 600 1980

www.cphartboutique.co.uk www.cphart.co.uk

INSTALLATION INFORMATION / REQUIREMENTS:



C.P. Hart cannot guarantee the accuracy of this information.

Dimensions are nominal – for guidance only and are not to be used for pre-installation.

For further information call Central Sales on 0845 600 1950

For projects & developments call the Contracts Team on 0845 600 1980

www.cphartboutique.co.uk www.cphart.co.uk