

**Portofino
Toilet Roll Holder (Left Hand)**

ILLUSTRATION



FEATURES AND BENEFITS:

A round balance of objects belongs to the Portofino collection – adding a flexibility when designing your bathroom
The chrome finish – Adds a distinctive look to any modern interior
Contemporary styling makes the range ideal for any traditional to modern interior

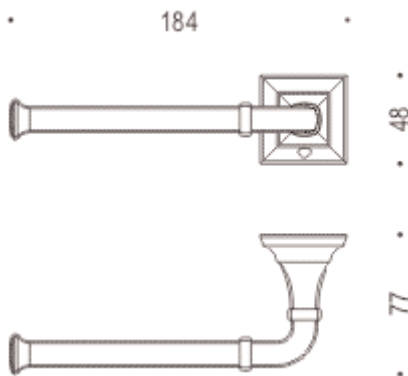
AVAILABILITY/ PRODUCT CODES:

cla3208sxcp - Toilet Roll Holder (Left Hand)

CARE AND MAINTENANCE INSTRUCTIONS:

Use soapy water, rinse with abundant water and wipe dry with a cloth or soft wash-leather. Do not use products which may contain acids, bleach or which may be abrasive

INSTALLATION INFORMATION/ REQUIREMENTS:



C.P. Hart cannot guarantee the accuracy of this information.

Dimensions are nominal – for guidance only and are not to be used for pre-installation.

For further information call Central Sales on 0845 600 1950
For projects & developments call the Contracts Team on 0845 600 1980

Waterloo Primrose Hill Guildford Manchester

www.cphartboutique.co.uk www.cphart.co.uk